



Trident 150/325 tankfilter

GEP Artikel nr.: 401122



English



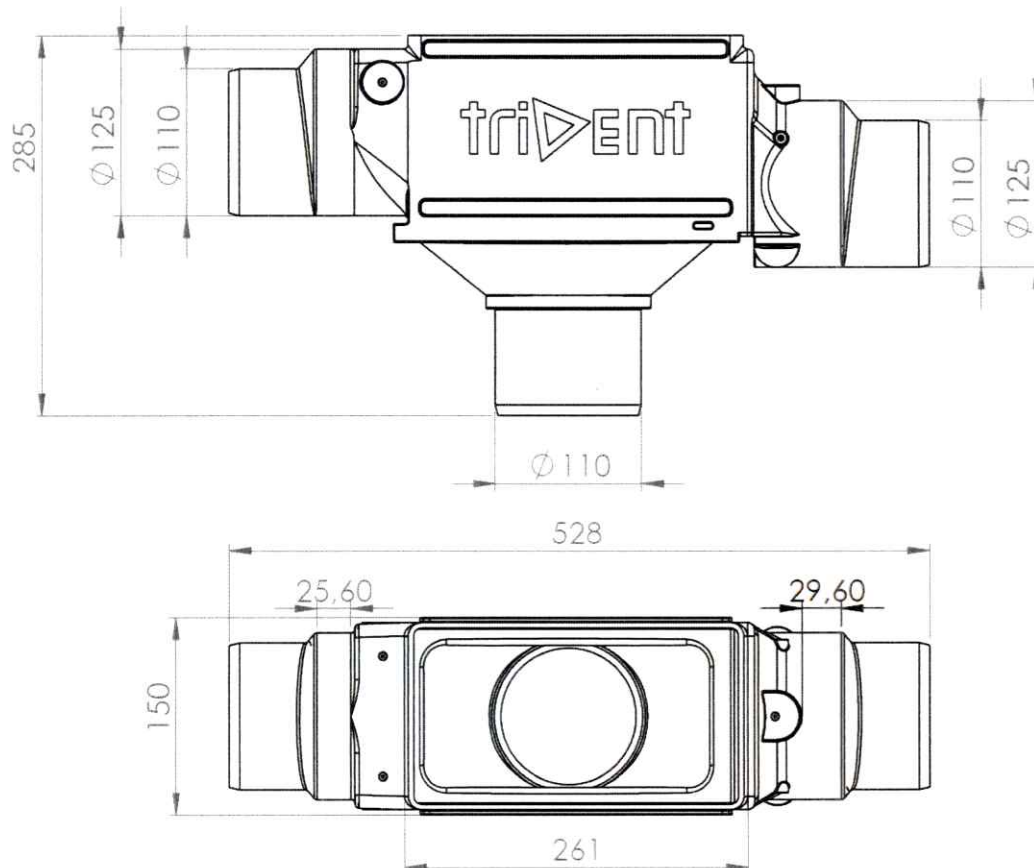
Product description

Function

The Trident tank filter filters the rainwater and guides it into the rainwater tank. The residual dirt particles will be directed to the sewerage. An optional prefab installed filter nozzle can be installed in order to clean the filter grid without removing this from the filter housing.

- fine filtering of rainwater
- drainage of filtered rainwater to the storage tank
- +90% Efficiency / rainwater inlet to the rainwater tank
- Comfort-Filter nozzle for the cleaning of the filter grid (optional)

Technical data



inlet rainwater:	DN 110/125
outlet to sewer:	DN 110/125
Outlet filtered rainwater:	DN 110
Connection filter nozzle (Art.nr 401151)	1/2" external thread
Height difference between inlet and outlet sewer:	25 mm
Mesh size of the filter grid	0,35 mm
Material Trident Tankfilter (housing):	PE
Material Trident Tankfilter (filtergrid):	Inox-RVS (Stainless-steel)



Installation

Connection inlet Rainwater

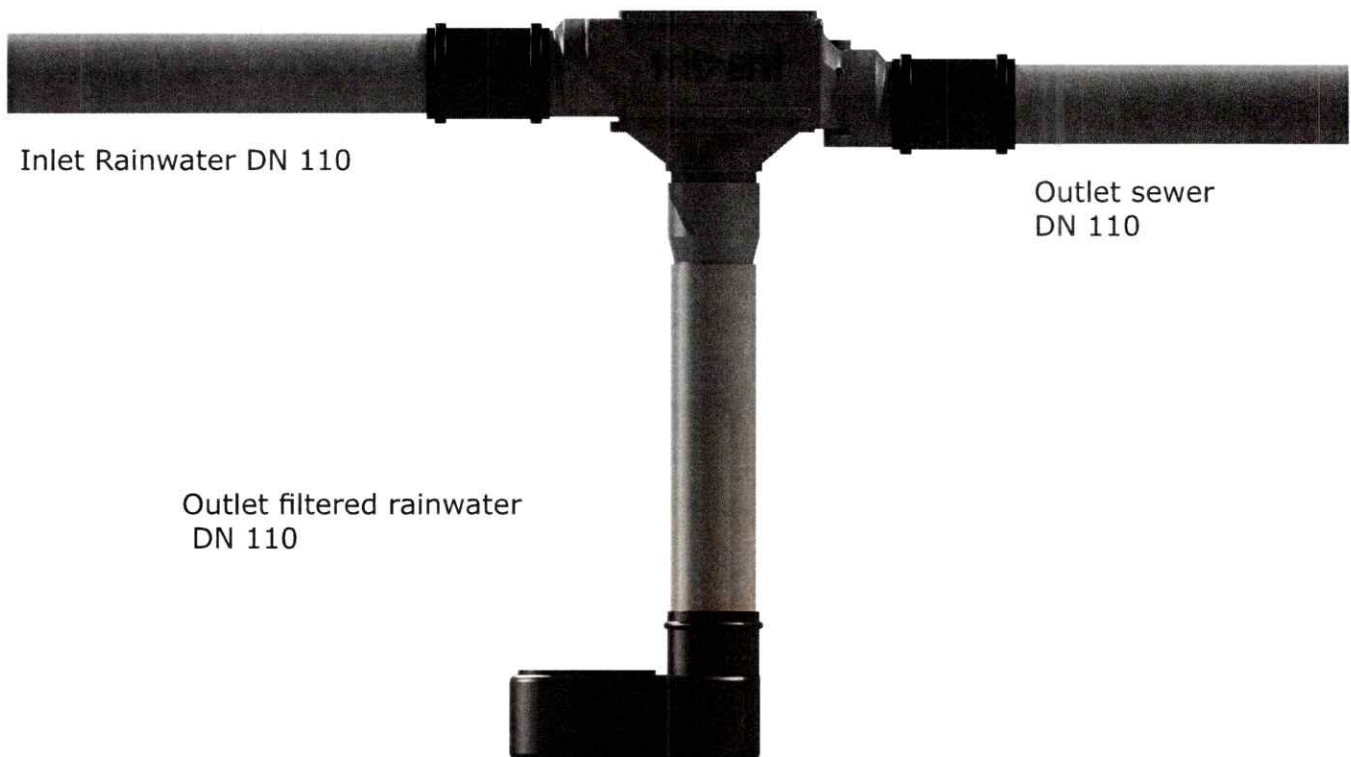
The connection of the rainwater inlet of the roof surface to the trident rainwater filter is connected via a DN 110 double socket (see illustration below!).

Connection outlet to sewer

The connection of the sewer to the outlet of the Trident rainwater filter is connected via a DN 110 tube with a single socket (see illustration below!).

Connection outlet of the filtered rainwater

The connection of the outlet of the filtered rainwater to the calmed inlet in the tank. Use a telescopic tube for the connection of the filtered rainwater to the calmed inlet. Otherwise, use a DN 110 tube with a single socket to the bottom side of the filter. (see illustration below!).



!!! Filterhousing should be corrected to water level leveled after installation !!!



Filter maintenance / cleaning

Removal of filter grid

- Remove the top cover of the filter housing
- Remove the filter grid by the removable handle

Return filter grid

- Place the filter grid with the handle at the outlet side of the filter housing
- The filter grid should be resting on the bottom of the inlet and outlet
- Place the top cover back on the filter housing

Cleaning of the filter grid

1. Remove the filter grid.
2. Rub the filtergrid with dish soap and let it soak for 5 minutes.
 - this removes the fats and any oil layers.
 - Clean the remaining dirt particles with a powerfull water jet.

Dont use a metal brush!!

3. Place the filter grid back in the filter housing.



Comment:

When the filter grid is removed from the filter housing. The Trident tank filter will function as a filling device, without filtering.

Malfunction solver

What can you do when...

The specified efficiency is no longer met?

The filter grid filled with dirt particles or has not been cleaned for a long time.
Clean the filter grid according to the instructions.

The filter grid is not placed properly.
Place the filter grid according to the instructions.

If you have any other malfunctions, please contact your dealer.

Removal/ Recycling/ Destruction

The wrapping material can be processed with old paper. The filter grid should be processed by scrap metal handlers. The housing of the filter is 100% recyclable.